

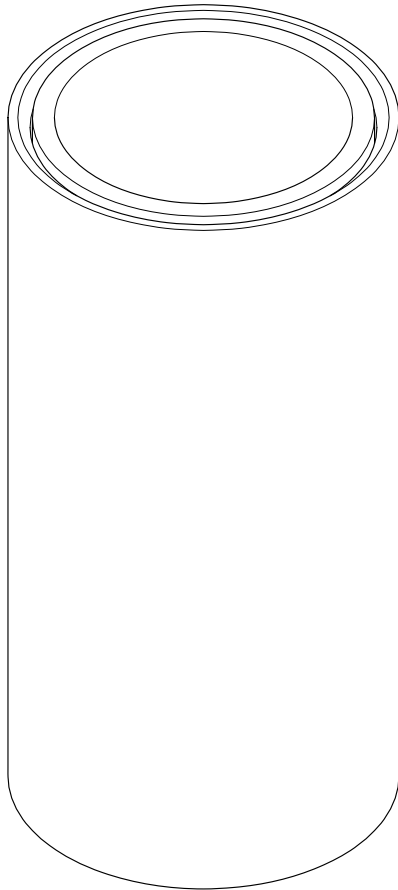


Fall Protection

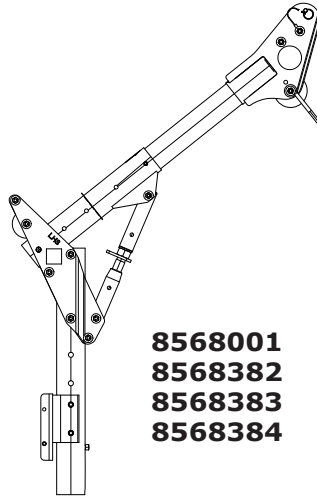
**CONFINED SPACE ENTRY/RESCUE
DAVIT BASE ADAPTER
HC DAVIT BASES - ADVANCED MASTS**

**USER INSTRUCTION MANUAL
5908366 REV. A**

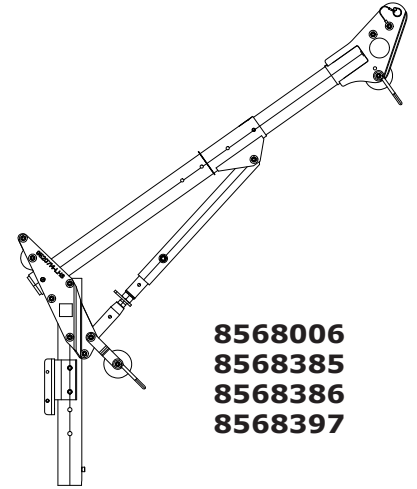
1



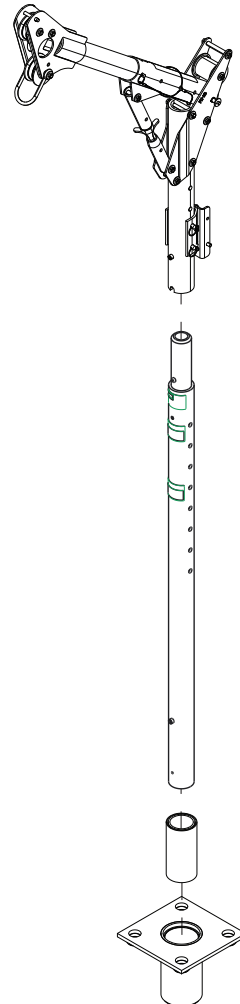
8000134

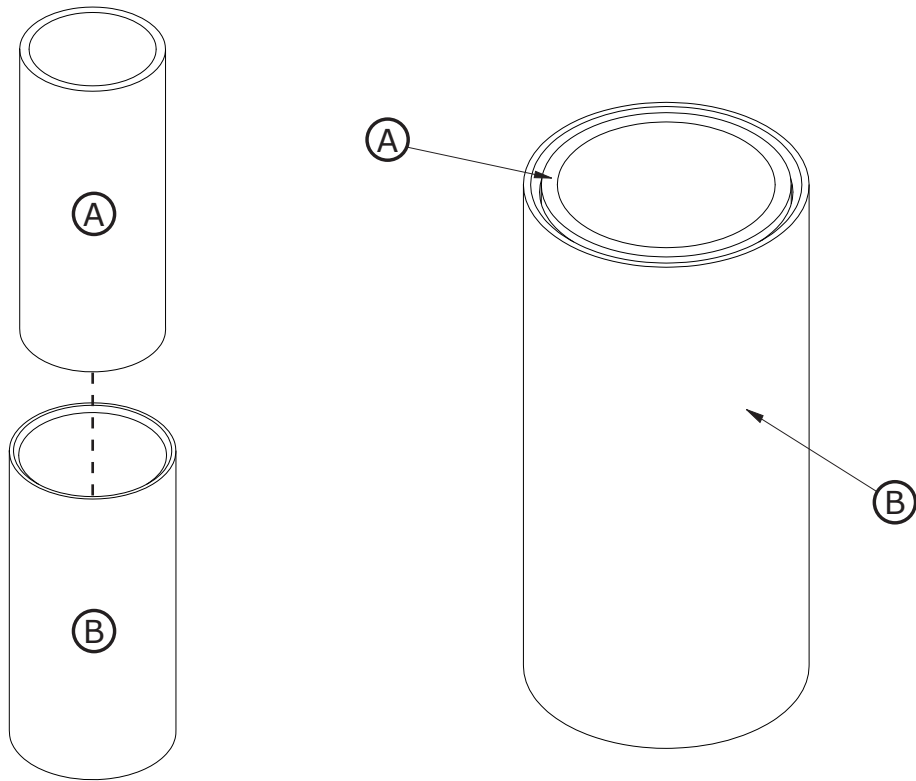


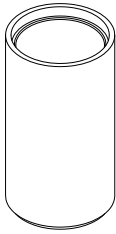
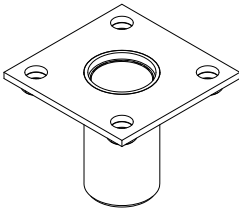
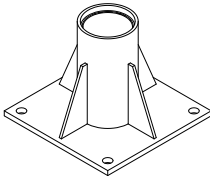
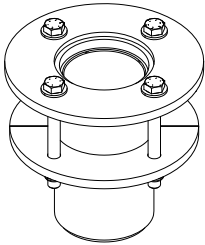
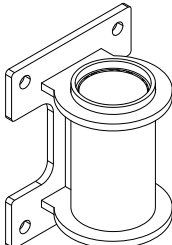
**8568001
8568382
8568383
8568384**

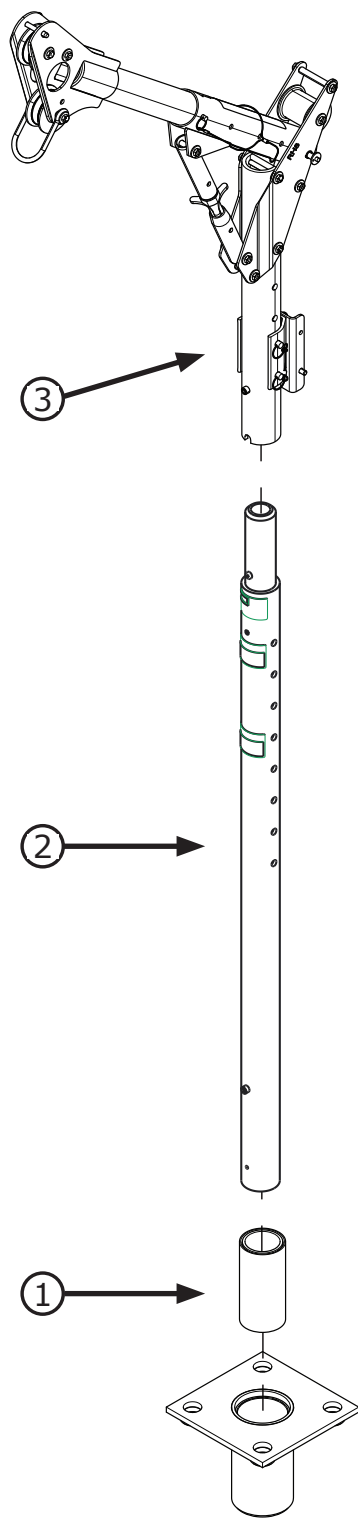


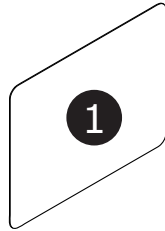
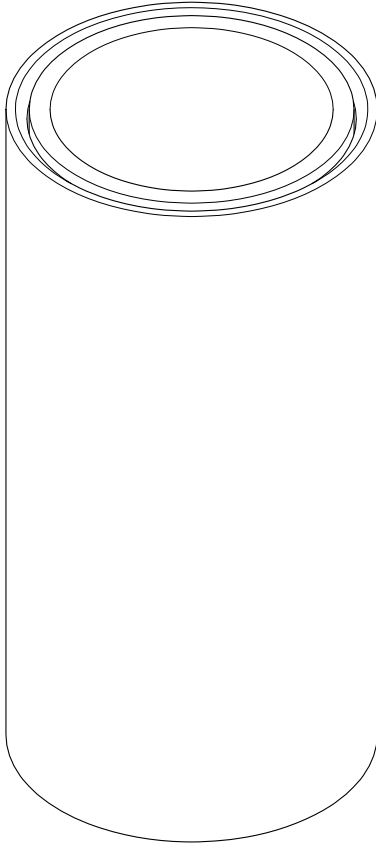
**8568006
8568385
8568386
8568397**





<p>800089 800090</p>	<p>800091 800092</p>	<p>800095 800096</p>
		
<p>800099 800100</p>	<p>800101 800102</p>	
		





1

3M | **DBI SALA**[®]

Mfrd. (yr, mo) **(A)** | Model No.: **(B)**
Fabr. (aa, mm) | N° de Modelo:

(C) Serial no / N° de serie: [Redacted]

3M.com/FallProtection
Red Wing, MN 55066, USA

9514429 Rev. A

SAFETY INFORMATION

Please read, understand, and follow all safety information contained in these instructions prior to the use of this Confined Space Entry/Rescue Device. FAILURE TO DO SO COULD RESULT IN SERIOUS INJURY OR DEATH.

These instructions must be provided to the user of this equipment. Retain these instructions for future reference.

Intended Use:

This Confined Space Entry/Rescue Device is intended for use as part of a complete personal fall protection or rescue system.

Use in any other application including, but not limited to, non-approved material handling applications, recreational or sports related activities, or other activities not described in the User Instructions or Installation Instructions is not approved by 3M and could result in serious injury or death.

This device is only to be used by trained users in workplace applications.

WARNING

This Confined Space Entry/Rescue Device is part of a personal fall protection or rescue system. It is expected that all users be fully trained in the safe installation and operation of the complete system. **Misuse of this device could result in serious injury or death.** For proper selection, operation, installation, maintenance, and service, refer to all Product Instructions and all manufacturer recommendations, see your supervisor, or contact 3M Technical Service.

- **To reduce the risks associated with working with a Confined Space Entry/Rescue Device which, if not avoided, could result in serious injury or death:**
 - Inspect the device before each use, at least annually, and after any fall event. Inspect in accordance with the User Instructions.
 - If inspection reveals an unsafe or defective condition, remove the device from service and repair or replace according to the User Instructions.
 - Any device that has been subject to fall arrest or impact force must be immediately removed from service. Refer to the User Instructions or contact 3M Fall Protection.
 - The device must only be installed in the manner detailed in the Installation Instructions or User Instructions. Installations and use outside the scope of the instruction must be approved in writing by 3M Fall Protection.
 - The substrate or structure to which the device is attached must be able to sustain the static loads specified for the device in the orientations permitted in the User Instructions or Installation Instructions.
 - Do not exceed the number of allowable users.
 - Never work below a suspended load or worker.
 - Use caution when installing, using, and moving the device as moving parts may create potential pinch points. Refer to the User Instructions.
 - Ensure proper lockout/tagout procedures have been followed as applicable.
 - Never attach to a system until it is positioned, fully assembled, adjusted, and installed. Do not adjust the system while a user is attached.
 - Only connect fall protection subsystems to the designated anchorage connection point on the device.
 - Prior to drilling or fastening, ensure no electric lines, gas lines, or other critical embedded systems will be contacted by the drill or the device.
 - Ensure that fall protection systems/subsystems assembled from components made by different manufacturers are compatible and meet the requirements of applicable standards, including the ANSI Z359 or other applicable fall protection codes, standards, or requirements. Always consult a Competent or Qualified Person before using these systems.
 - (TRIPODS) Ensure the lifeline does not extend outside the legs of the tripod.
 - (TRIPODS) Never use the tripod without the leg chains secured in place, or as directed in the User Instructions provided with the tripod.
- **To reduce the risks associated with working at height which, if not avoided, could result in serious injury or death:**
 - Ensure your health and physical condition allow you to safely withstand all of the forces associated with working at height. Consult with your doctor if you have any questions regarding your ability to use this equipment.
 - Never exceed allowable capacity of your fall protection equipment.
 - Never exceed maximum free fall distance of your fall protection equipment.
 - Do not use any fall protection equipment that fails pre-use or other scheduled inspections, or if you have concerns about the use or suitability of the equipment for your application. Contact 3M Technical Services with any questions.
 - Some subsystem and component combinations may interfere with the operation of this equipment. Only use compatible connections. Consult 3M prior to using this equipment in combination with components or subsystems other than those described in the User Instructions.
 - Use extra precautions when working around moving machinery (e.g. top drive of oil rigs) electrical hazards, extreme temperatures, chemical hazards, explosive or toxic gases, sharp edges, or below overhead materials that could fall onto you or the fall protection equipment.
 - Use Arc Flash or Hot Works devices when working in high heat environments.
 - Avoid surfaces and objects that can damage the user or equipment.
 - Ensure there is adequate fall clearance when working at height.
 - Never modify or alter your fall protection equipment. Only 3M or parties authorized in writing by 3M may make repairs to the equipment.
 - Prior to use of fall protection equipment, ensure a rescue plan is in place which allows for prompt rescue if a fall incident occurs.
 - If a fall incident occurs, immediately seek medical attention for the worker who has fallen.
 - Do not use a body belt for fall arrest applications. Use only a Full Body Harness.
 - Minimize swing falls by working as directly below the anchorage point as possible.
 - If training with this device, a secondary fall protection system must be utilized in a manner that does not expose the trainee to an unintended fall hazard.
 - Always wear appropriate personal protective equipment when installing, using, or inspecting the device/system.

Prior to installation and use of this equipment, record the product identification information from the ID label in the Inspection and Maintenance Log (Table 2) at the back of this manual.

PRODUCT DESCRIPTION:

Figure 1 illustrates the 3M™ DBI-SALA® Confined Space Entry/Rescue Davit Base Adapter. The Davit Base Adapter allows the use of legacy Short and Long Reach Advanced Davits 7.6 cm (3.0 in.) in diameter with 3M DBI-SALA® High Capacity Davit Bases.

Figure 2 illustrates the components of the Davit Base Adapter specified in Table 1. The Davit Base Adapter is comprised of a plastic Liner (A) within a metal Sleeve (B).

Table 1 – Specifications

Table 1 – Specifications			
Davit Base Adapter Specifications:			
Davit Base Adapter Weight	1.36 kg (3 lbs)		
Compatibility	<p>The Davit Base Adapter covered in this instruction is compatible with 3M™ High Capacity (HC) Davit Bases and legacy Short and Long Reach Advanced Davits.</p> <p>Short Reach Advanced Davits can be used with two Mast Extensions, up to 229 cm (90.0 in) of combined extension length. Advanced One-Piece Short Reach Davits can be used, but must not be used with additional Mast Extensions.</p> <p>Long Reach Advanced Davits can be used with only one Mast Extension, up to 145 cm (57.0 in). Advanced One-Piece Long Reach Davits can be used, but must not be used with additional Mast Extensions.</p>		
Mounting Requirements:			
Moment Load	15.4 kN*m (136,400 in*lbs)		
Vertical Load	13.79 kN (3,100 lbs)		
Installation must meet the shear and pull-out strength requirements (where applicable) of the existing base.			
Component Specifications:			
Figure 2 Reference	Component	Materials	Finish:
(A)	Liner	PVC	
(B)	Sleeve	Aluminum	Powdercoat

1.0 PRODUCT APPLICATION

- 1.1 PURPOSE:** Davit Bases are designed mounting points for compatible 3M Davit Systems. See the respective Davit System instruction for system use and functionality.
- 1.2 STANDARDS:** This Davit Base conforms to the national or regional standard(s) identified on the front cover of these instructions. If this product is resold outside the original country of destination, the re-seller must provide these instructions in the language of the country in which the product will be used.
- 1.3 INSTALLATION & SUPERVISION:** Installation of the Davit Base must be supervised by a Competent Person¹. A Qualified Person² must verify the structural installation meets local and federal regulations. A Qualified Person must recommend the appropriate fasteners and proper Davit Base placement. Use of the Davit and attached Fall Protection equipment must be supervised by a Competent Person.
- 1.4 SITE DOCUMENTATION:** After assembly and installation of the Davit Bases, Installation Documentation meeting the informational requirements of EN795 Annex A must be completed by the installer and handed over to the user's designated representative. The Installation Documentation should be kept at the job site for purposes of subsequent examination.
- 1.5 TRAINING:** This equipment must be installed and used by persons trained in its correct application. This manual may be used as part of an employee training program and/or regional regulations. It is the responsibility of the users and installers of this equipment to ensure they are familiar with these instructions, trained in the correct care and use of this equipment, and are aware of the operating characteristics, application limitations, and consequences of improper use of this equipment.
- 1.6 RESCUE PLAN:** When using the Davit and connected Fall Protection equipment, the employer must have a rescue plan and means at hand to implement and communicate that plan to users. A trained on-site rescue team is recommended. Team members should be provided with the equipment and techniques to perform a successful rescue. Training should be provided on a periodic basis to ensure rescue proficiency.
- 1.7 INSPECTION FREQUENCY:** The Davit Base shall be inspected by the User before each use and, additionally, by a Competent Person other than the user at intervals of no longer than one year.³ Inspection procedures are described in the "Inspection and Maintenance Log". Results of each Competent Person inspection should be recorded on copies of the "Inspection and Maintenance Log".

2.0 SYSTEM REQUIREMENTS

- 2.1 ANCHORAGE AND FASTENERS:** Any structure and fasteners (fasteners if applicable) used to attach the Davit Base must meet the "Mounting Requirements" defined in Table 1.
- 2.1 COMPONENT COMPATIBILITY:** 3M equipment is designed for use with other 3M-approved components and subsystems only. Substitutions or replacements made with non-approved components or subsystems may jeopardize compatibility of equipment and may affect the safety and reliability of the complete system.
- 2.2 PERSONAL FALL ARREST SYSTEM:** Personal Fall Arrest Systems (PFAS) used with the system must meet applicable Fall Protection standards, codes, and requirements. The PFAS must use a Full Body Harness, and limit Arresting Force to the following values:

	Maximum Arresting Force	Free Fall
PFAS with Shock Absorbing Lanyard	6 kN (1,350 lb)	Refer to the instruction(s) included with your Lanyard or SRD for Free Fall limitations.
PFAS with Self Retracting Device (SRD)	6 kN (1,350 lb)	

- 2.3 HAZARDS:** Use of this equipment in areas with environmental hazards may require additional precautions to prevent injury to the user or damage to the equipment. See the 3M davit mast instruction for specific hazards that may affect system use.

¹ **Competent Person:** One who is capable of identifying existing and predictable hazards in the surroundings or working conditions which are unsanitary, hazardous, or dangerous to employees, and who has authorization to take prompt corrective measures to eliminate them.

² **Qualified Person:** An individual with a recognized degree or professional certificate, and extensive experience in Fall Protection. This individual must be capable of design, analysis, evaluation, and specification in Fall Protection.

³ **Inspection Frequency:** Extreme working conditions (harsh environments, prolonged use, etc.) may require increasing the frequency of competent person inspections.

3.0 INSTALLATION

- 3.1 PLANNING:** Plan your fall protection system prior to installation of the Davit Base Adapter. Account for all factors that may affect your safety before, during and after a fall. Consider all requirements defined in Section 2 and Table 1.
- 3.2 INSTALLING THE DAVIT BASE ADAPTER:** Figure 4 illustrates installation of the Davit Base Adapter. See Figure 3 for approved davit bases allowed to be used with the adapter.
1. Insert the Davit Base Adapter into existing High Capacity (HC) Davit Base. Ensure that the Davit Base Adapter is fully seated on the bottom of the HC Davit Base. No portion of the Davit Base Adapter should extend out of the HC Davit Base.
 2. Insert the Davit Mast Extension inside the Adapter Sleeve. See Table 1 for approved combinations of Mast Extensions.
 3. Insert the Davit onto the Mast Extension(s). Follow all instructions pertaining to Davit use.

4.0 USE

- 4.1 BEFORE EACH USE:** Verify that your work area and Personal Fall Arrest System (PFAS) meet all criteria defined in Section 2 and a formal Rescue Plan is in place. Inspect the Davit Base Adapter per the 'User' inspection points defined on the "Inspection and Maintenance Log" 2. If inspection reveals an unsafe or defective condition, do not use the system. Remove the system from service and destroy, or contact 3M regarding replacement or repair.

5.0 INSPECTION

- 5.1 INSPECTION FREQUENCY:** The Davit Base Adapter must be inspected at the intervals defined in Section 1. Inspection procedures are described in the 'Inspection and Maintenance Log' 2. Inspect all other components of the Fall Protection System per the frequencies and procedures defined in the manufacturer's instructions.
- 5.2 DEFECTS:** If inspection reveals an unsafe or defective condition, remove the Davit Base Adapter from service immediately and contact 3M regarding replacement or repair. Do not attempt to repair the Fall Arrest System.

Authorized Repairs Only: Only 3M or parties authorized in writing may make repairs to this equipment.

- 5.3 PRODUCT LIFE:** The functional life of the Fall Arrest System is determined by work conditions and maintenance. As long as the product passes inspection criteria, it may remain in service.

6.0 MAINTENANCE, SERVICING, STORAGE

- 6.1 CLEANING:** Periodically clean the Davit Base Adapter's metal components with a soft brush, warm water, and a mild soap solution. Ensure parts are thoroughly rinsed with clean water.
- 6.2 SERVICE:** Only 3M or parties authorized in writing by 3M may make repairs to this equipment. If the Davit Base Adapter has been subject to fall force or inspection reveals an unsafe or defective conditions, remove the system from service and contact 3M regarding replacement or repair.
- 6.3 STORAGE AND TRANSPORT:** When not in use, store and transport the Davit Base Adapter and associated fall protection equipment in a cool, dry, clean environment out of direct sunlight. Avoid areas where chemical vapors may exist. Thoroughly inspect components after extended storage

7.0 LABELS

Figure 5 illustrates labels on the Davit Base Adapter. Labels must be replaced if they are not fully legible. Information provided on each label is as follows:



	Read all instructions.
	A) Manufactured (Year, Month) B) Model Number C) Serial Number

Table 3 – Inspection and Maintenance Log

Inspection Date:		Inspected By:	
Components:	Inspection: (See Section 1 for <i>Inspection Frequency</i>)	User	Competent Person¹
Davit Base Adapter (Figure 2)	Inspect the Davit Base Adapter for cracks, dents, or deformities.	<input type="checkbox"/>	<input type="checkbox"/>
	Inspect the entire unit for corrosion.	<input type="checkbox"/>	<input type="checkbox"/>
Labels (Figure 5)	Verify that all labels are securely attached and are legible (see ' <i>Labels</i> ')	<input type="checkbox"/>	<input type="checkbox"/>
PFAS and Other Equipment	Additional Personal Fall Arrest System (PFAS) equipment (harness, SRL, etc) that are used with the Davit Base Adapter should be installed and inspected per the manufacturer's instructions.	<input type="checkbox"/>	<input type="checkbox"/>

Serial Number(s):	Date Purchased:
Model Number:	Date of First Use:
Corrective Action/Maintenance:	Approved By:
	Date:
Corrective Action/Maintenance:	Approved By:
	Date:
Corrective Action/Maintenance:	Approved By:
	Date:
Corrective Action/Maintenance:	Approved By:
	Date:
Corrective Action/Maintenance:	Approved By:
	Date:
Corrective Action/Maintenance:	Approved By:
	Date:
Corrective Action/Maintenance:	Approved By:
	Date:
Corrective Action/Maintenance:	Approved By:
	Date:
Corrective Action/Maintenance:	Approved By:
	Date:
Corrective Action/Maintenance:	Approved By:
	Date:
Corrective Action/Maintenance:	Approved By:
	Date:
Corrective Action/Maintenance:	Approved By:
	Date:

1 Competent Person: One who is capable of identifying existing and predictable hazards in the surroundings or working conditions which are unsanitary, hazardous, or dangerous to employees, and who has authorization to take prompt corrective measures to eliminate them.

GLOBAL PRODUCT WARRANTY, LIMITED REMEDY AND LIMITATION OF LIABILITY

WARRANTY: THE FOLLOWING IS MADE IN LIEU OF ALL WARRANTIES OR CONDITIONS, EXPRESS OR IMPLIED, INCLUDING THE IMPLIED WARRANTIES OR CONDITIONS OF MERCHANTABILITY OR FITNESS FOR A PARTICULAR PURPOSE.

Unless otherwise provided by local laws, 3M fall protection products are warranted against factory defects in workmanship and materials for a period of one year from the date of installation or first use by the original owner.

LIMITED REMEDY: Upon written notice to 3M, 3M will repair or replace any product determined by 3M to have a factory defect in workmanship or materials. 3M reserves the right to require product be returned to its facility for evaluation of warranty claims. This warranty does not cover product damage due to wear, abuse, misuse, damage in transit, failure to maintain the product or other damage beyond 3M's control. 3M will be the sole judge of product condition and warranty options.

This warranty applies only to the original purchaser and is the only warranty applicable to 3M's fall protection products. Please contact 3M's customer service department in your region for assistance.

LIMITATION OF LIABILITY: TO THE EXTENT PERMITTED BY LOCAL LAWS, 3M IS NOT LIABLE FOR ANY INDIRECT, INCIDENTAL, SPECIAL OR CONSEQUENTIAL DAMAGES INCLUDING, BUT NOT LIMITED TO LOSS OF PROFITS, IN ANY WAY RELATED TO THE PRODUCTS REGARDLESS OF THE LEGAL THEORY ASSERTED.

3M



Fall Protection

USA

3833 SALA Way
Red Wing, MN 55066-5005
Toll Free: 800.328.6146
Phone: 651.388.8282
Fax: 651.388.5065
3Mfallprotection@mmm.com

Brazil

Rua Anne Frank, 2621
Boqueirão Curitiba PR
81650-020
Brazil
Phone: 0800-942-2300
falecoma3m@mmm.com

Mexico

Calle Norte 35, 895-E
Col. Industrial Vallejo
C.P. 02300 Azcapotzalco
Mexico D.F.
Phone: (55) 57194820
3msaludocupacional@mmm.com

Colombia

Compañía Latinoamericana de Seguridad S.A.S.
Carrera 106 #15-25 Interior 105 Manzana 15
Zona Franca - Bogotá, Colombia
Phone: 57 1 6014777
fallprotection-co@mmm.com

Canada

260 Export Boulevard
Mississauga, ON L5S 1Y9
Phone: 905.795.9333
Toll-Free: 800.387.7484
Fax: 888.387.7484
3Mfallprotection-ca@mmm.com

EMEA (Europe, Middle East, Africa)

EMEA Headquarters:
Le Broc Center
Z.I. 1re Avenue - BP15
06511 Carros Le Broc Cedex
France
Phone: + 33 04 97 10 00 10
Fax: + 33 04 93 08 79 70
informationfallprotection@mmm.com

Australia & New Zealand

95 Derby Street
Silverwater
Sydney NSW 2128
Australia
Phone: +(61) 2 8753 7600
Toll-Free : 1800 245 002 (AUS)
Toll-Free : 0800 212 505 (NZ)
Fax: +(61) 2 8753 7603
anzfallprotectionsales@mmm.com

Asia

Singapore:
1 Yishun Avenue 7
Singapore 768923
Phone: +65-6450 8888
Fax: +65-6552 2113
TotalFallProtection@mmm.com

Shanghai:

19/F, L'Avenue, No.99 Xian Xia Rd
Shanghai 200051, P R China
Phone: +86 21 62539050
Fax: +86 21 62539060
3MFallProtection-CN@mmm.com

Korea:

3M Korea Ltd
20F, 82, Uisadang-daero,
Yeongdeungpo-gu, Seoul
Phone: +82-80-033-4114
Fax: +82-2-3771-4271
TotalFallProtection@mmm.com

Japan:

3M Japan Ltd
6-7-29, Kitashinagawa, Shinagawa-ku, Tokyo
Phone: +81-570-011-321
Fax: +81-3-6409-5818
psd.jp@mmm.com

WEBSITE:
3M.com/FallProtection



EU DECLARATION OF CONFORMITY:
3M.com/FallProtection/DOC