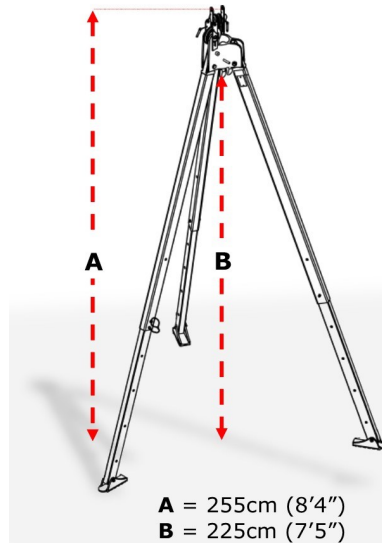
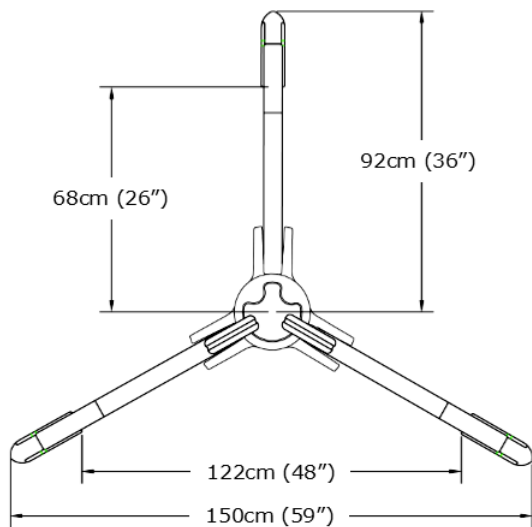


# TP143B Standard Tripod

## Data Sheet



**Footstrap NOT required**  
(Certified for use without footstrap)



Our standard Tripod (TP143B) is fitted with two Pulley Wheels and Two Eyebolt Anchors.

Our Tripods have an MBS rating of 3600kg (7936lb), giving a WLL of 360kg (771lb) at a 10:1 Safety Factor. This allows the devices to meet the requirements of NFPA [G] Rating, in addition to being certified to EN795 Type B, 1997.

ISC Tripods have been tested and certified for use WITHOUT a Foot Restraint Strap, vastly reducing the risk of users tripping.

The TP143 Tripod can be used with a Retrieval Fall Arrest Block and/or RW020 Winch; which can be attached to the Tripod leg, using a GRB150S2 Bracket.

<b>Weight</b>	22kg (49lbs)
<b>MBS</b>	3600kg
<b>WLL</b>	360kg (771lb) at 10:1 Safety Factor
<b>Standards</b>	EN795 B 1997, Meets NFPA [G] Rating
<b>Height (Maximum)</b>	255cm (8'4") [A]
<b>Headroom Height</b>	225cm (7'5") [B]
<b>Length of Tripod collapsed</b>	190cm (74 3/4")